



MINIRACK[®] SHELVING SYSTEM

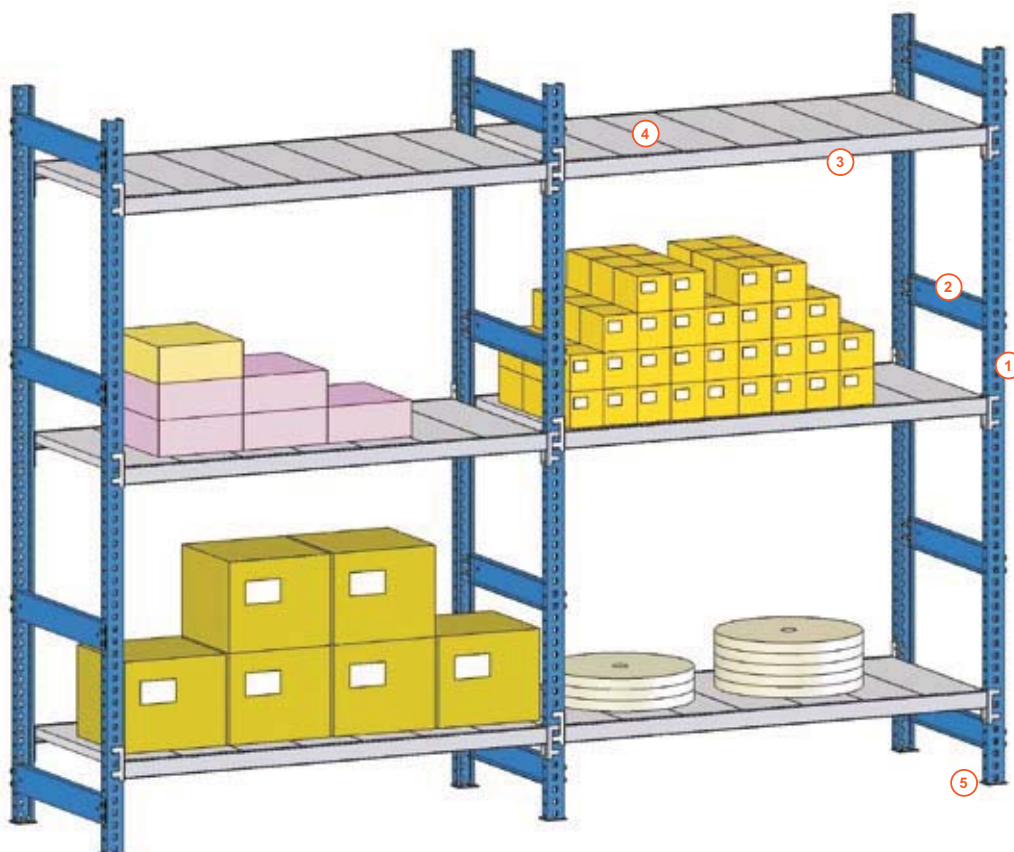
The **MINIRACK** Shelving System represents a rational utilization of warehouse space for conventional warehouses of smaller and middle load-bearing capacities and hand manipulation. Owing to its structure the shelving system allows the possibility to combine various shelving system, and enables a simple deconstruction, disassembling and reassembling of the shelves.

In spite of its simplicity and elegant structure, the **MINIRACK** Shelving System is very stable and of strong quality. A quality production and surface protection guarantee a long service life. It is possible to shift the shelves or the shelf girders vertically up and down in screen $n \times 33,3$ mm.

This enables extra capacity of the shelving system and the chance to adjust the warehouse space to temporary needs.

The depth of the shelves can be varied in 100 mm increments between 300 to a maximum of 1000 mm. The basic shelf lengths are 890, 1070, 1250, 1425 mm. The heights of the upright frames extend from 2000 mm to a maximum 3200 mm and more for two-storey warehouses and special orders.

Colour: Blue RAL 5007 for pillar and crossbars and Grey RAL 7032 for beams and panels. Other colorus are possible in response to customer demands. We also offer hot galvanized

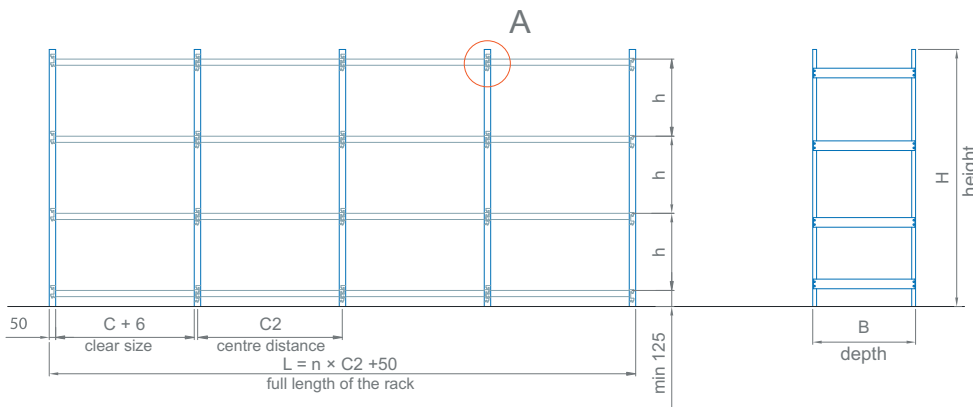


1. Minirack pillar - SM
2. Minirack crossbar - PM
3. Minirack beam - VNM
4. Metal panel - PV (steel or chipboard)
5. Minirack base plate - TP

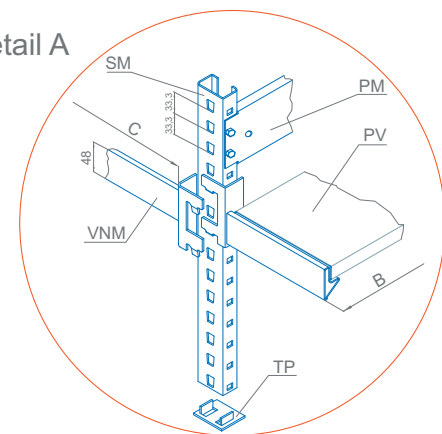
The chart shows the possible selections of elements and characteristics of the MINIRACK Shelving System

SM	Minirack pillar Height of sides - H (m)	2,0 2,3			2,5 2,8 3,0			3,2		
TP	Minirack base plate	1 pcs / Minirack pillar								
PM	Number of crossbars for a side (kos)	4			5			6		
	Minirack crossbar (B) (mm)	300	400	500	600	700	800	900	1000	
	Crossbar mark	PM-3	PM-4	PM-5	PM-6	PM-7	PM-8	PM-9	PM-10	
VNM	Minirack beam C1 (mm)	890		1070		1250		1425		
	Axial distance between the pillars - C2 (mm)	948		1128		1308		1483		
	Beam mark	VNM-9		VNM-10		VNM-12		VNM-14		
	Load capacity for a pair of beams (kg)	315		260		225		150		
PV	Number of metal panels / pair of beams	5			6		7		8	
	Length of metal panels (depth of the rack)(mm)	300	400	500	600	700	800	900	1000	
	Metal panel mark	PV-3	PV-4	PV-5	PV-6	PV-7	PV-8	PV-9	PV-10	
	Load capacity of sides at depth	600 mm - 2400 kg 700 mm - 2100 kg				900 mm - 1700 kg 1000 mm - 1400 kg				

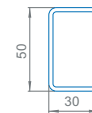
Other dimensions and load capacity available.



Detail A



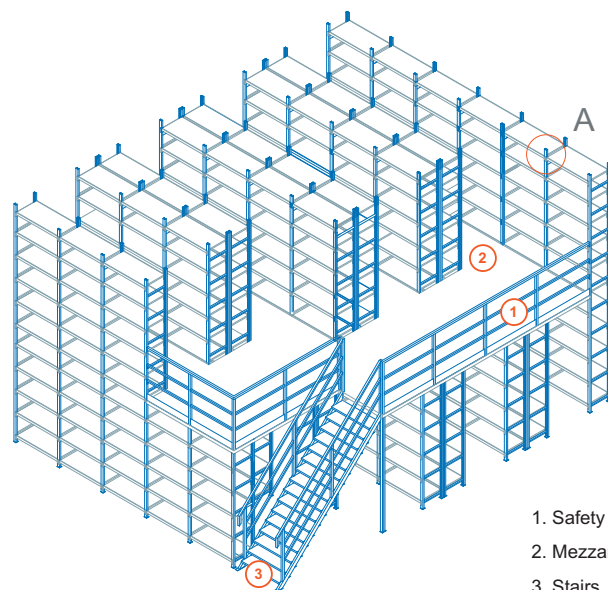
Pillar section



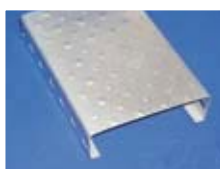
MINIRACK – Mezzanine

The MINIRACK Shelving System is possible in effective mezzanine design solutions.

The surface of the mezzanine is available in ribbed sheet, metal grating Artex, plywood (ordinary beech board or covered with phenolic film with smooth or antislip surface) or wooden board.



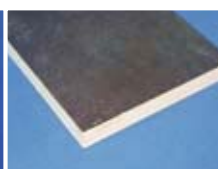
1. Safety barrier
2. Mezzanine surface
3. Stairs



metal grating ARTEX



plywood - ordinary beech board



plywood - beech board covered with phenolic film with smooth or antislip surface